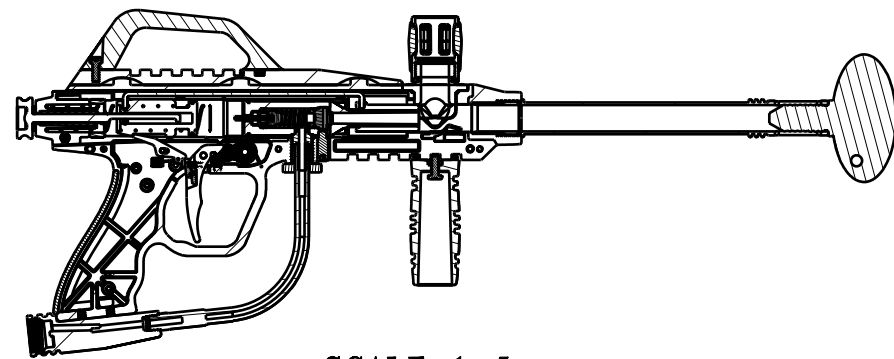
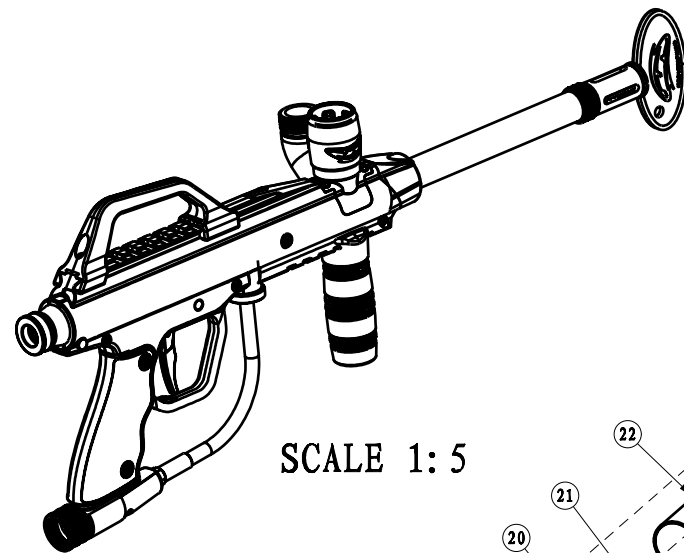


FIND NO.	QTY.	PART NO.	PART DESCRIPTION
1	1	135247-000 (A1)	shaft -recocking 拉杆
2	1	132723-000	bumper 环型胶垫
3	1	132725-000	spring-recock 弹簧
4	1	132726-000	washer recock 介子
5	1	134305-000	C-ring -shaft C型弹簧卡圈
6	1	135246-000 (A2)	housing recock 枪架
7	1	134506-000	pumber 缓冲垫
8	1	134860-000	spring striker 撞锤弹簧
9	1	135245-000 (A3)	striker 撞锤
10	1	132729-000	linrage arm 连接管
11	1	134863-000	pin 销钉
12	1	134349-000	O-ring 密封圈
13	1	132713-000	O-ring 密封圈
14	1	135248-000 (A4)	valve 活阀体
15	1	134592-000	O-rign internal 活阀座密封圈
16	1	132714-000	valve seat 活阀座
17	1	134864-000	valve stem TAC-5 阀门
18	1	134865-000	valve stem 阀门
19	1	134866-000	spring valve 活阀弹簧
20	1	134659-000	O-ring 密封圈
21	1	134356-000	valve plug 活阀塞
22	1	135242-000 (A5)	valve sleeve 活阀管
23	1	135244-000 (A6)	bolt TAC-5 上锤
24	2	130726-000	screw #6-32 螺丝
25	4	132745-000	grip washer TAC-5 把手介子
26	1	135239-000 (A7)	frame camo 迷彩左枪身
27	1	133351-000	handle TAC-5 手柄
28	1	133898-000	screw #8-32 螺丝
29	1	135236-000 (A8)	bend feed pokt camo 迷彩弯头弹仓螺塞
30	1	135249-000 (A9)	vertical feed port camo 迷彩直头弹仓螺塞
31	2	134472-000	O-ring feed port 弹仓密封圈
32	1	133982-000 (A10)	feed port gripper 弹仓
33	1	131615-000	feed port gripper 弹仓饰套
34	4	135257-000 (A11)	screw #6-32 螺丝
35	1	134065-000	barrel plug-JT 枪管塞
36	1	133987-000	barrel camo 迷彩枪管
37	1	137527-000	O-ring barrel 枪管密封圈
38	1	135072-000 (A12)	ball stop 弹料卡片
39	1	135258-000 (A13)	frame mat 密封圈
40	1	132738-000	spring striker asfety 扭弹簧
41	1	132739-000	safety 安全制
42	1	135254-000 (A14)	pin knurled trigger 扳扣节钉
43	1	130817-000	pin swedge 扳扣纹钉
44	1	135255-000 (A15)	spring stigger 扳扣弹簧
45	1	132740-000 (A16)	trigger 扳扣
46	1	130777-002 (B1)	spring interruptor 扳扣顶弹簧
47	1	130774-000	interruptor 扳扣顶
48	1	134675-000	spring sear 撞锤顶双钩弹簧
49	1	135367-000 (A17)	sear TAC-5撞锤顶
50	2	135252-000 (A18)	pin knurled 撞锤顶节钉
51	1	135238-000 (A19)	frame camo 迷彩右枪身
52	2	135256-000 (A20)	screw #6-32 螺丝钉
53	1	132732-000 (A21)	5/16-18 set screw 调速螺丝
54	1	134304-000	set screw valve 定位螺丝
55	1	133990-000	ball detent 球珠
56	1	133991-000	ball betent spring 球珠弹簧
57	1	133992-000	field strip pin 钉
58	1	135812-000 (D1)	O-ring 密封圈
59	1	133988-000	valve air line 气嘴
60	1	135545-000 (C1)	O-ring 密封圈
61	1	132731-000	valve air line
62	1	134677-000	pressure hose 气管
63	1	135906-000 (A22)(D2)	handle camo 迷彩前把手
64	1	133899-000	screw handle #10-32 前把手螺丝
65	2	131260-000	lockwasher #10-helical spring 弹垫
66	2	131284-000	screw #10-32X1.8 螺丝
67	1	130727-000	screw filter 过滤网
68	1	133985-000	bottom line adapter camo 迷彩接瓶口
69	1	132744-000	grip cover TAC-5 把手盖
70	3	133989-000	screw #6-32 螺丝
71	1	134412-000 (D3)	SQUARE NUT 方螺母



SCALE 1: 5



SCALE 1: 5

